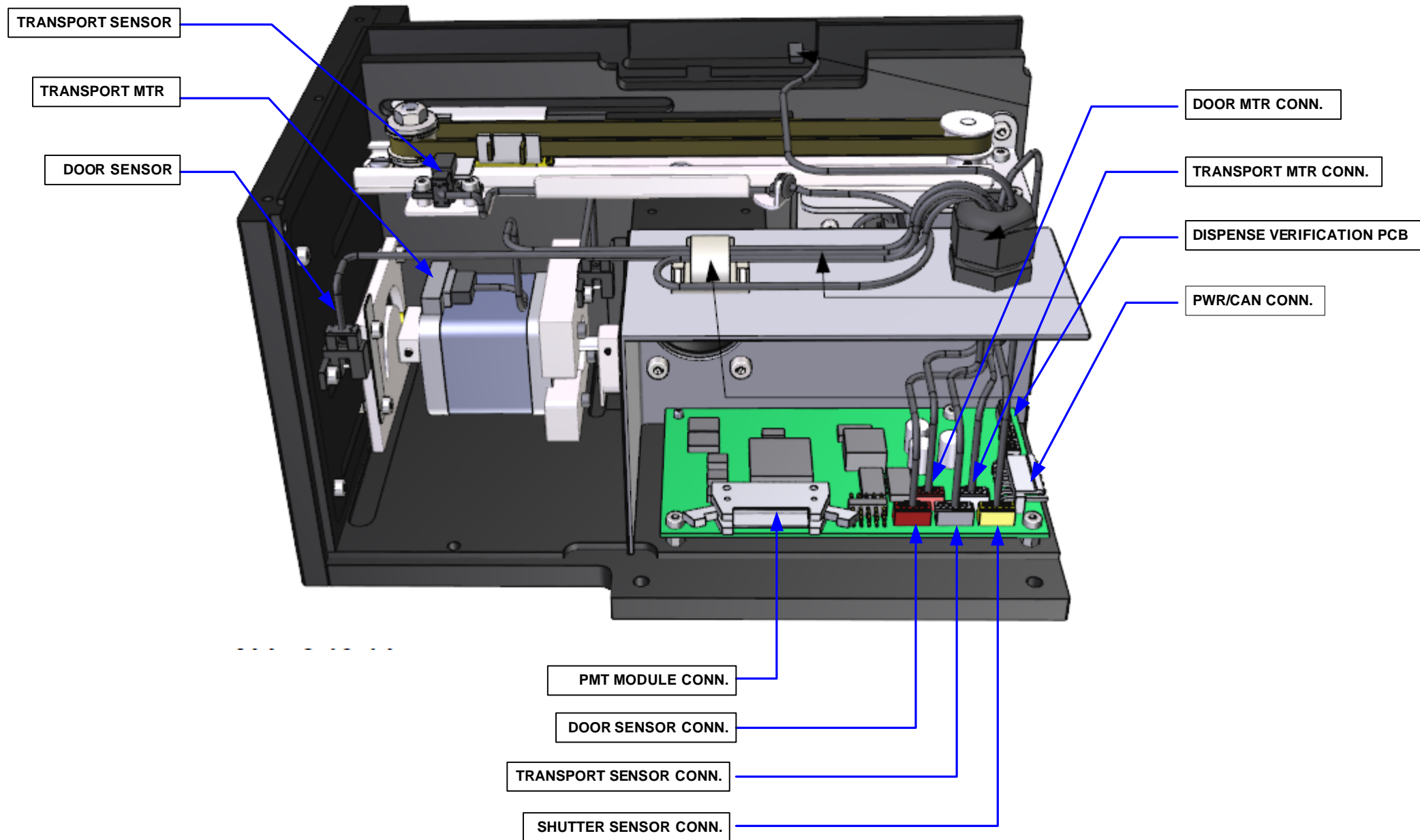
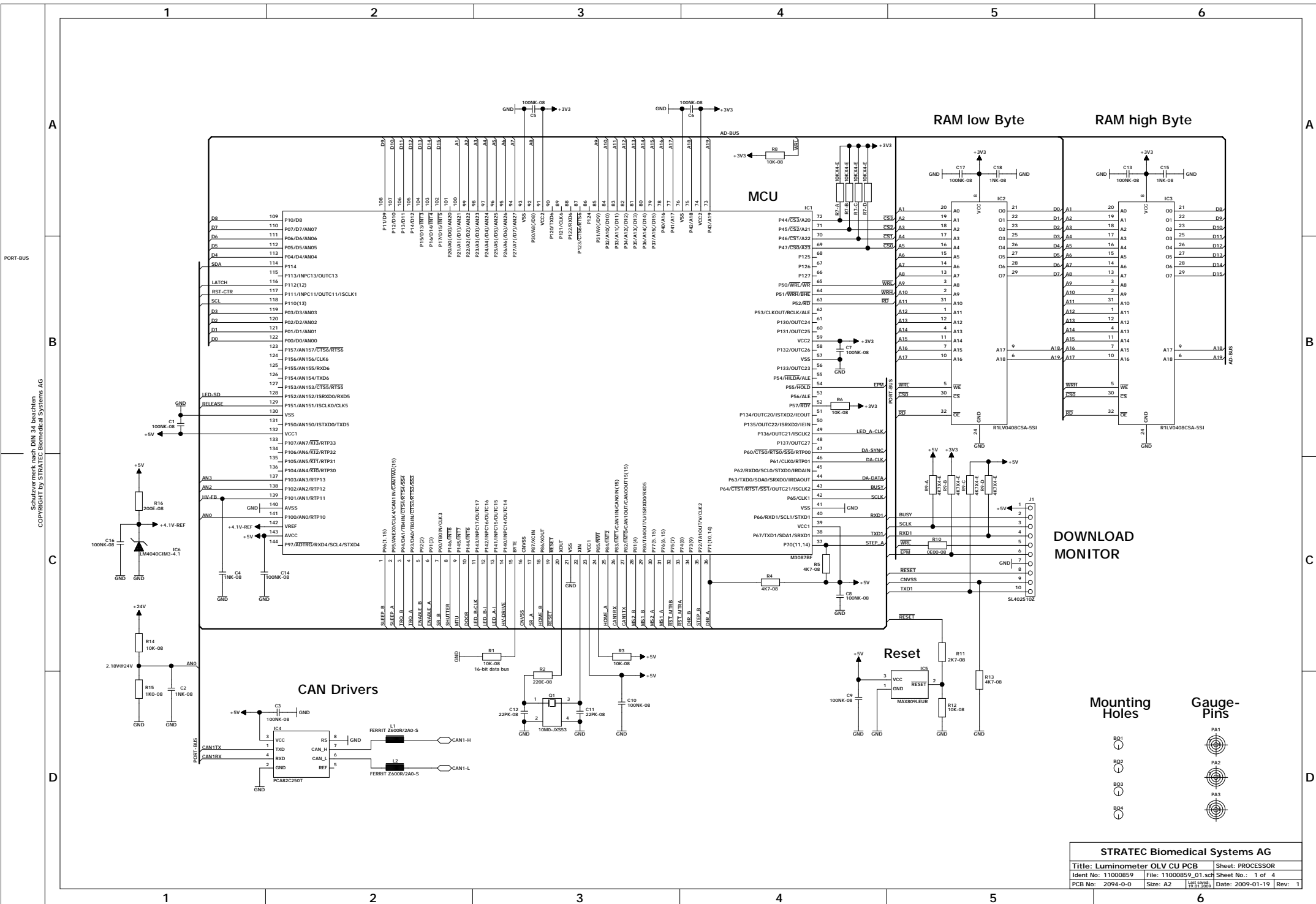
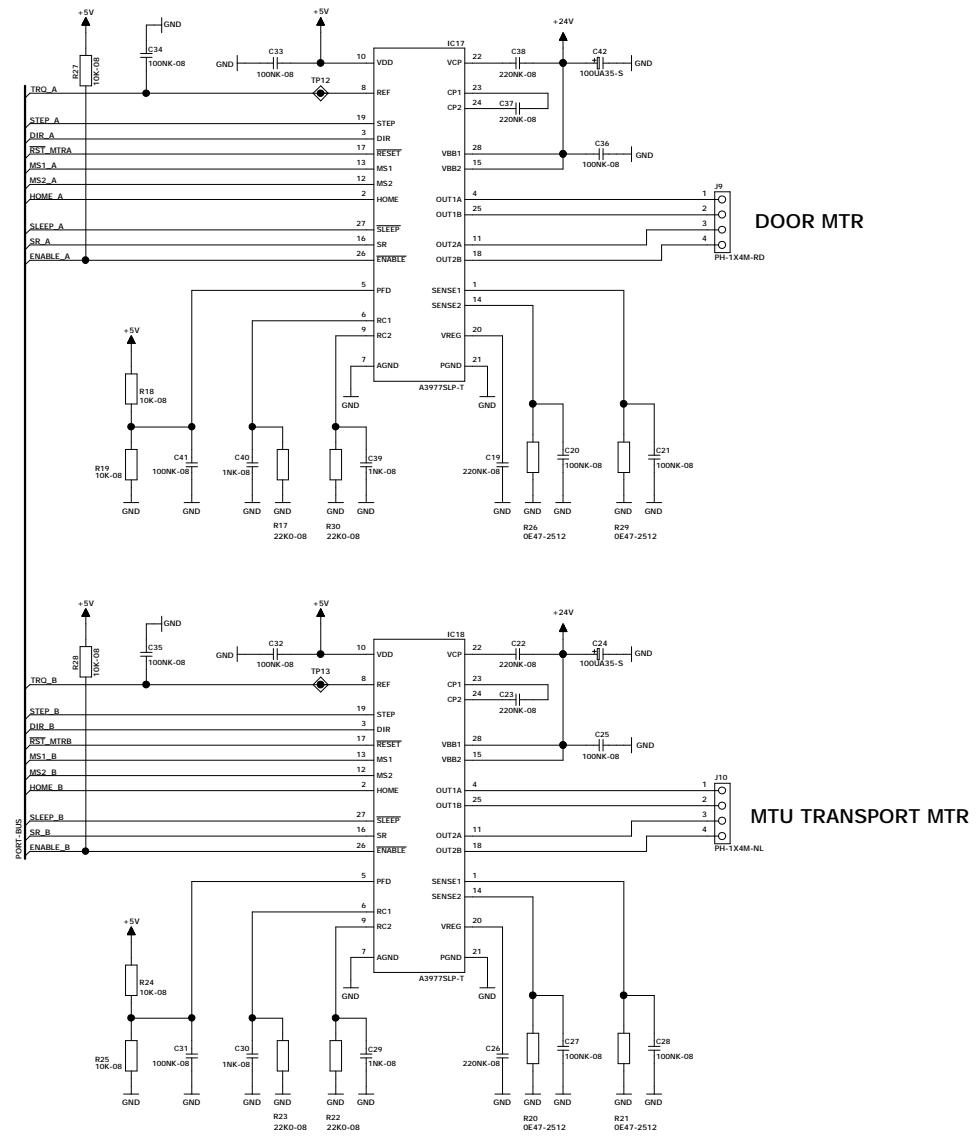


LUMINOMETER BLOCK DIAGRAM







1

2

3

4

5

6

A

B

C

D

A

B

C

D

DOOR OPEN SENSOR



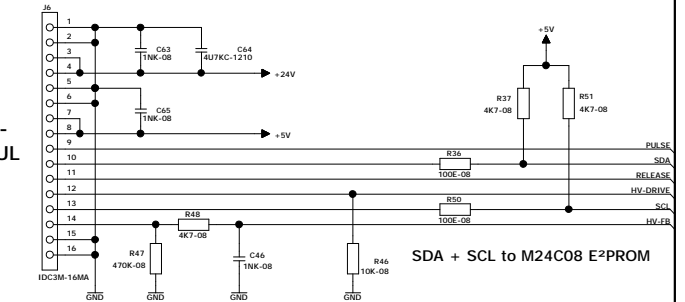
MTU TRANSPORT HOME



SHUTTER OPEN SENSOR

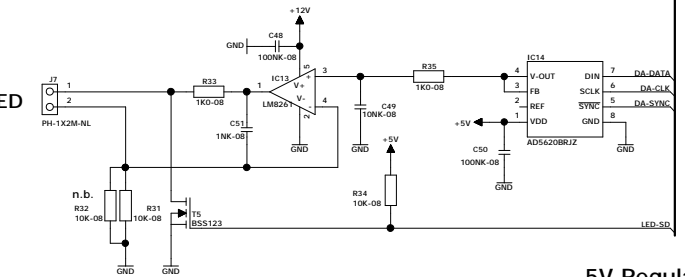


PMT-MODUL

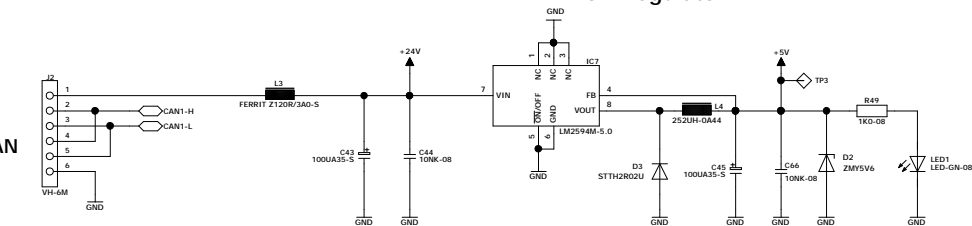


SDA + SCL to M24C08 E2PROM

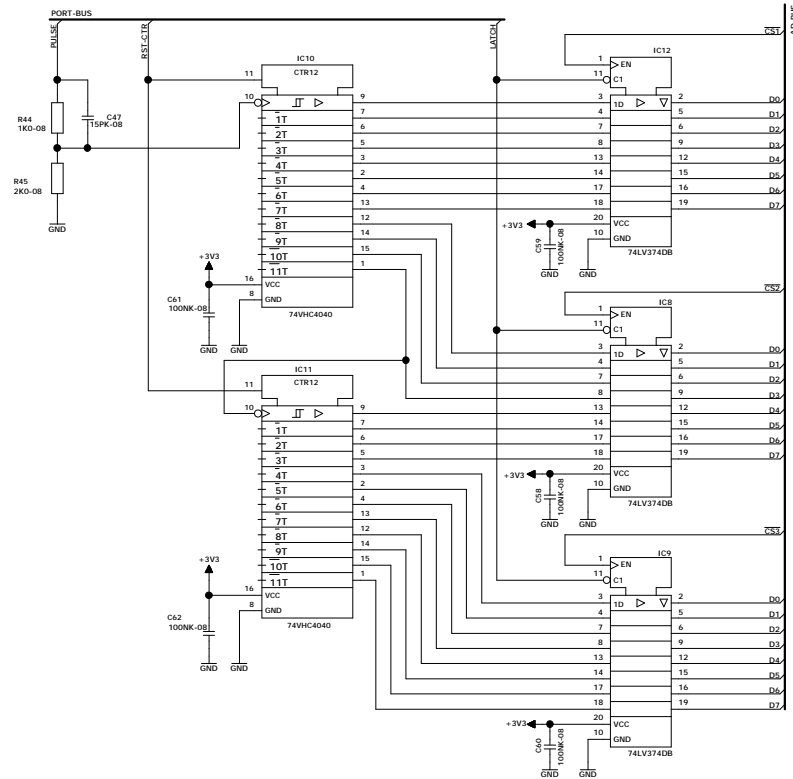
LED



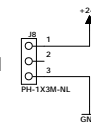
5V Regulator



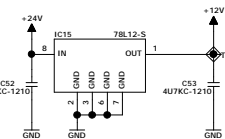
24BIT COUNTER UNIT



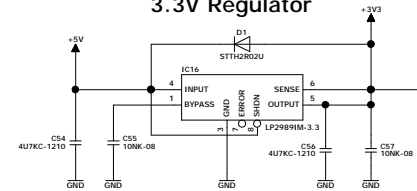
FAN



12V Regulator



3.3V Regulator



1

2

3

4

5

6

STRATEC Biomedical Systems AG			
Title: Luminometer OLV CU PCB		Sheet: PWR-SUPPLY	
Ident No: 11000859		File: 11000859_01.sch Sheet No.: 3 of 4	
PCB No: 2094-0-0	Size: A2	Date: 2009-01-19	Rev: 1

